

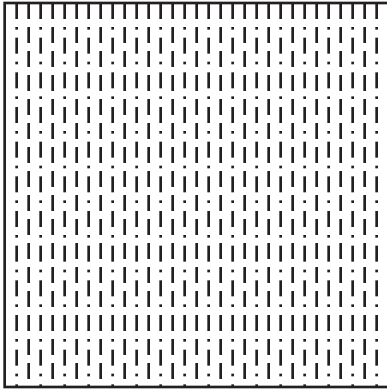
Snow Shovel (2003)

By: Charles Esseltine

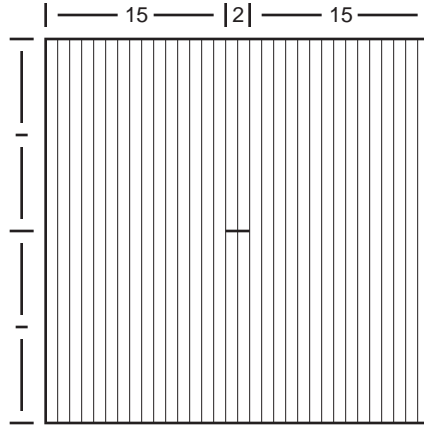
I grew up in Michigan, so I am WELL acquainted with Snow Shovels. And now that I live somewhere warmer, these are the closest to the real thing I ever see of them.

(And I sure don't miss the real ones!)

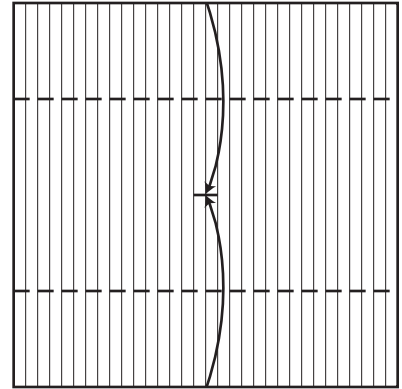
1.) Pleat into 32nds across.



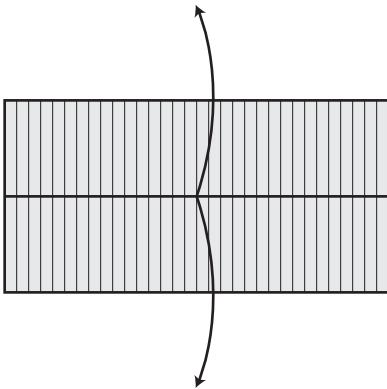
2.) Pinch fold the two middle sections in half.



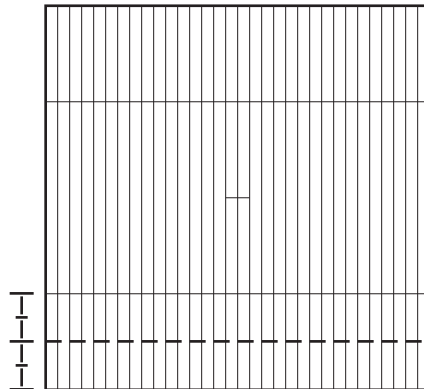
3.) Fold the ends to meet the middle mark.



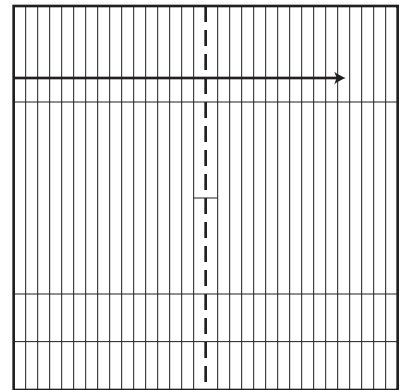
4.) Open them back out.



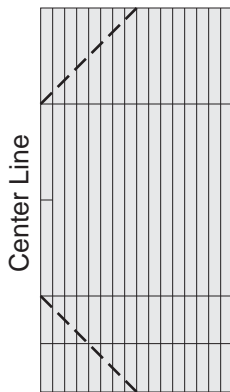
5.) Fold and unfold the bottom quarter in half.



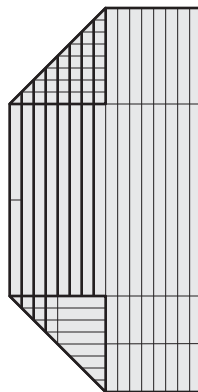
6.) Fold in half.



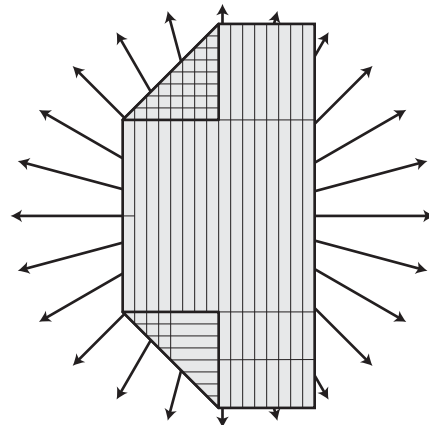
7.) Fold the vertical center line corners to meet the horizontal quarter lines. This is easier to do, than to say!



8.) On the sections you just folded, make creases that follow the underlying creases where shown. The direction of the creases do not matter at this point.

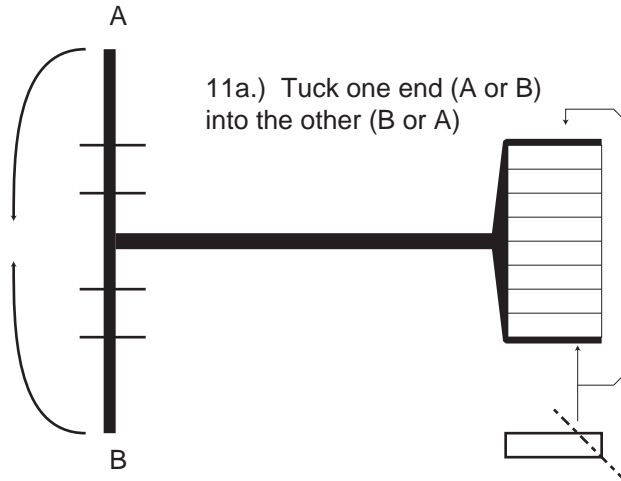
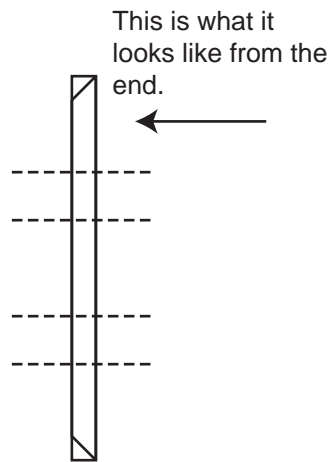
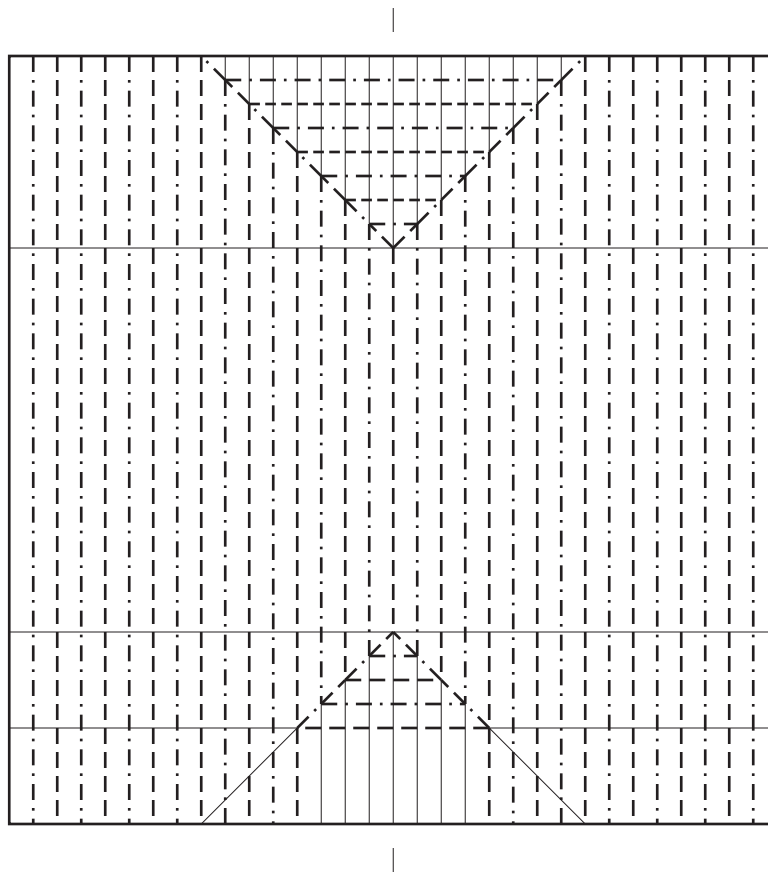


9.) Open completely



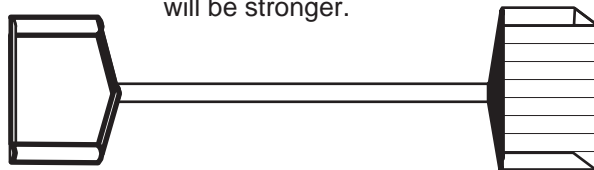
SNOW SHOVEL

10.) Collapse along existing creases.



11b.) Fold inwards through all layers, and on both sides.

Note: If you round the shaft, and handle, the shovel will be stronger.



SNOW SHOVEL