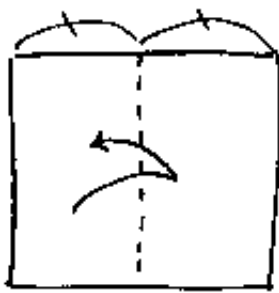
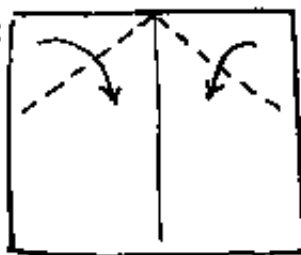


Moon Mouse's GREEN CHEESE #2

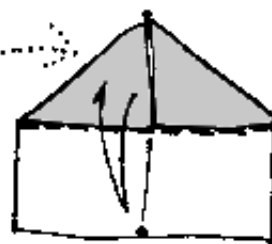
AFCB - 11 98



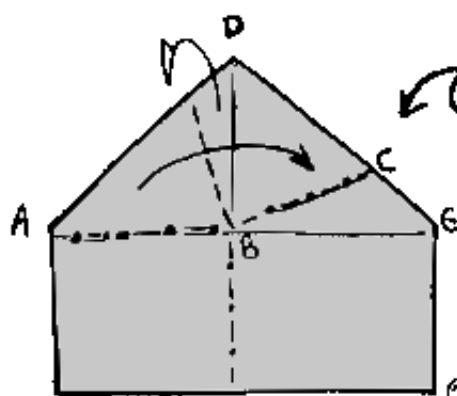
① Green foil or paper, white side up.



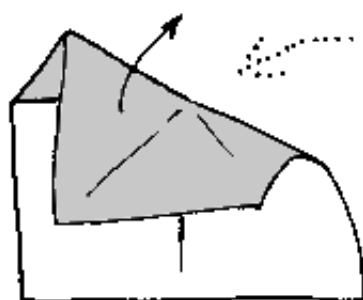
②



③

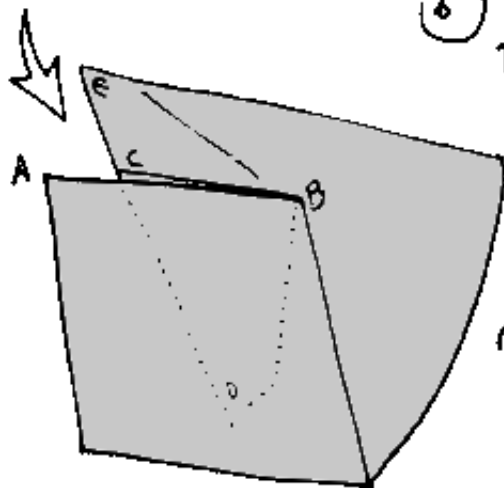


④ Bring peak down to dot + crease.

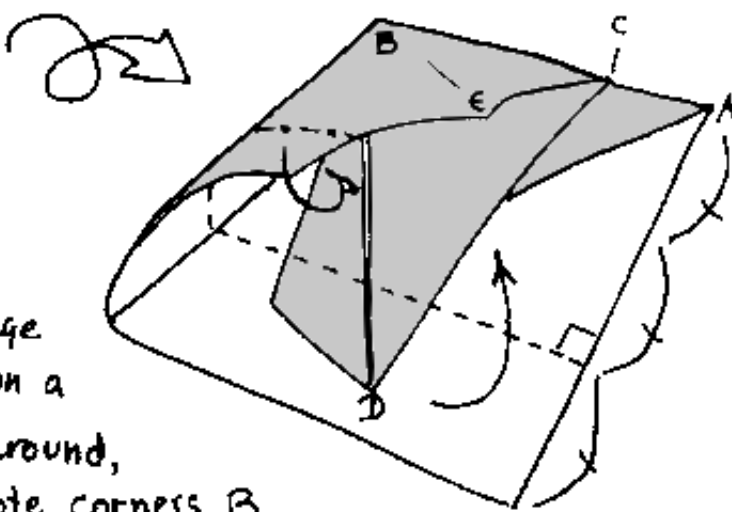


⑤ Unfold. Turn over.

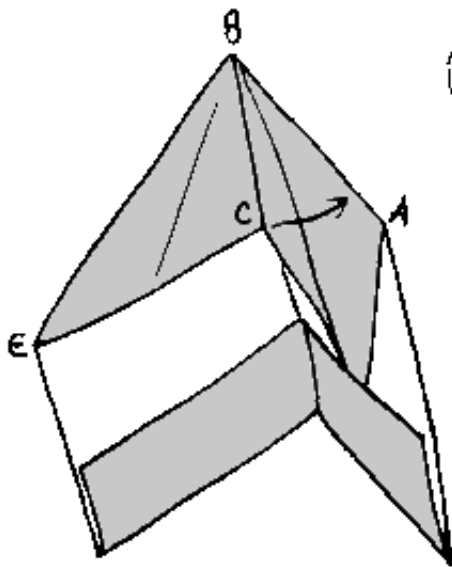
⑥ Collapse model so AB lies along BC, and D moves behind.



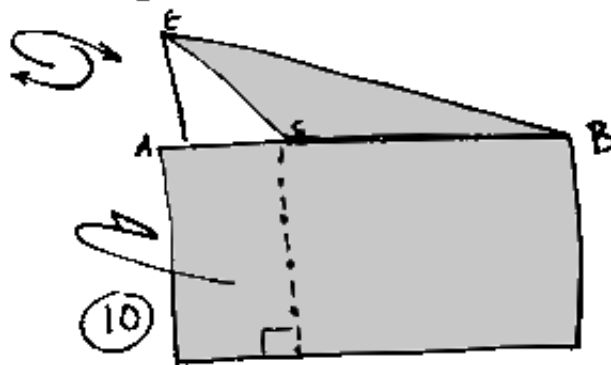
⑦ Turn paper over + Flatten inner flap D where it lies.



⑧ Fold bottom edge up into model, on a straight line all around, locking in D. Note corners B and E throughout.

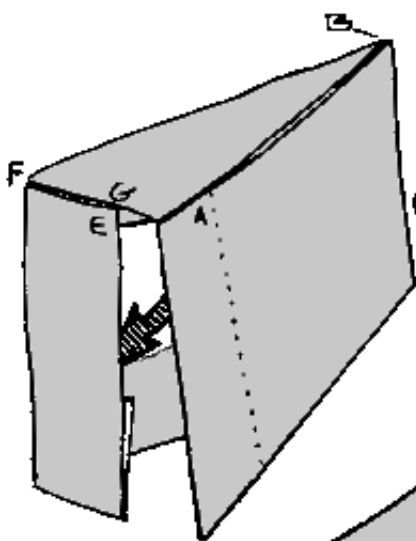
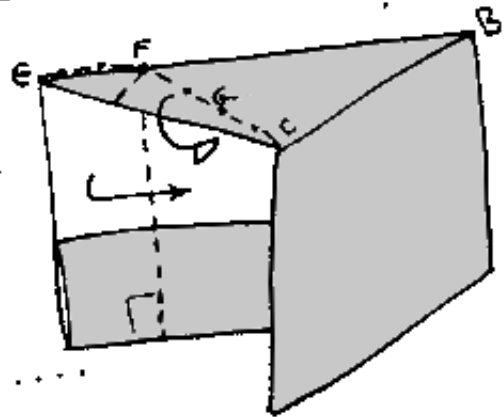


9 Holding BC and BA together, re-orient model so that the conjoined edge is at top, facing you.

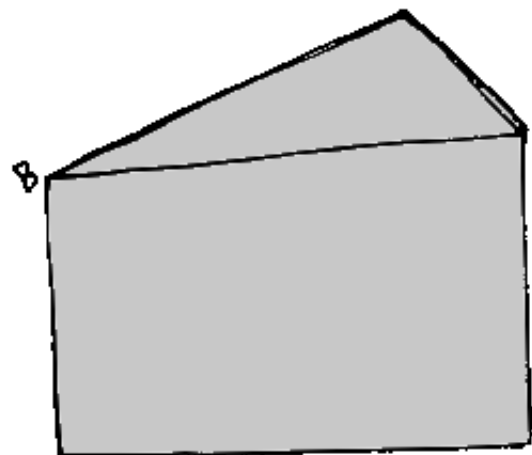
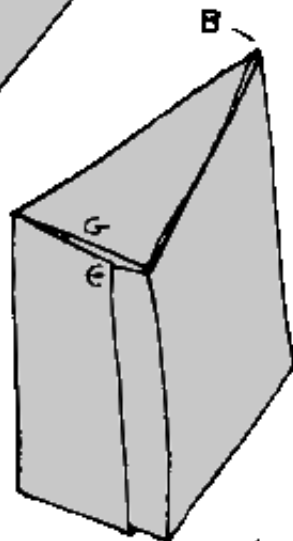


10

11 Fold, bringing corner E to meet new edge G. Make $FB = CB$ in length.



12 Release flap A and tuck its lower edge into flap E's pocket. (If A is longer than E, tuck E into A's pocket.)



Back view.

Sharpen edges.