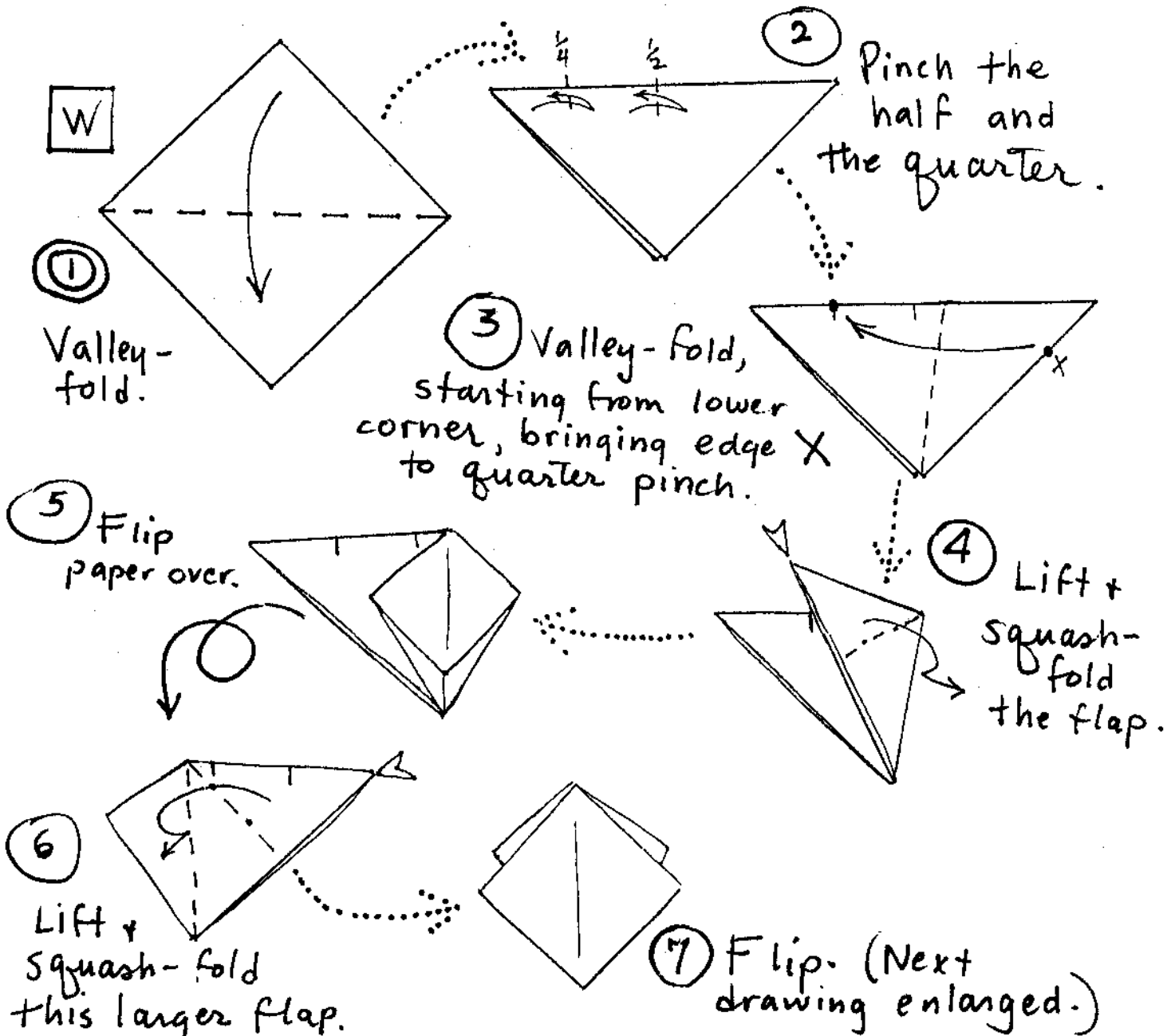


EGYPTIAN SARCOPHAGUS WITH COBRA HEADRESS

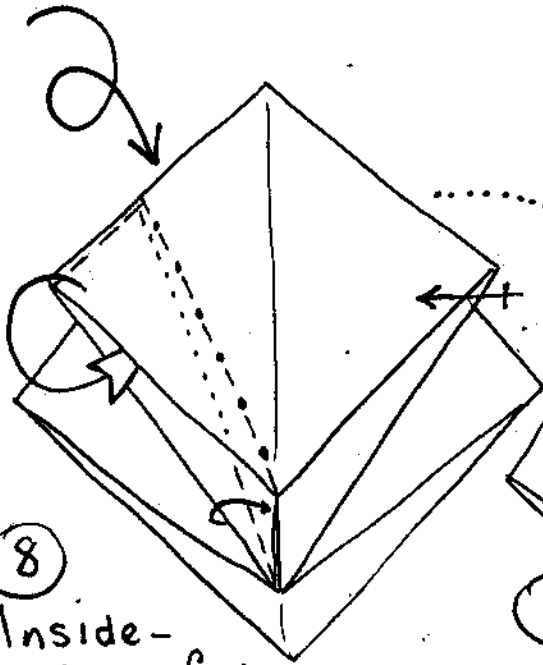
A
E
B

10.23
2001

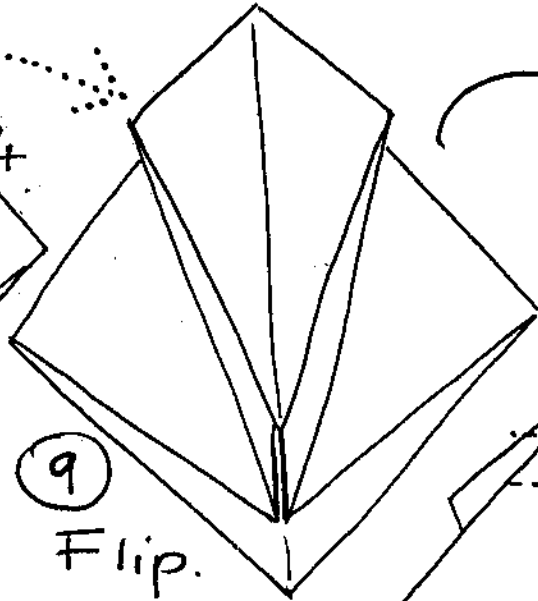
I use a square of gold foil paper, 10" for a 7" figure. Start white side up; follow dot arrows.



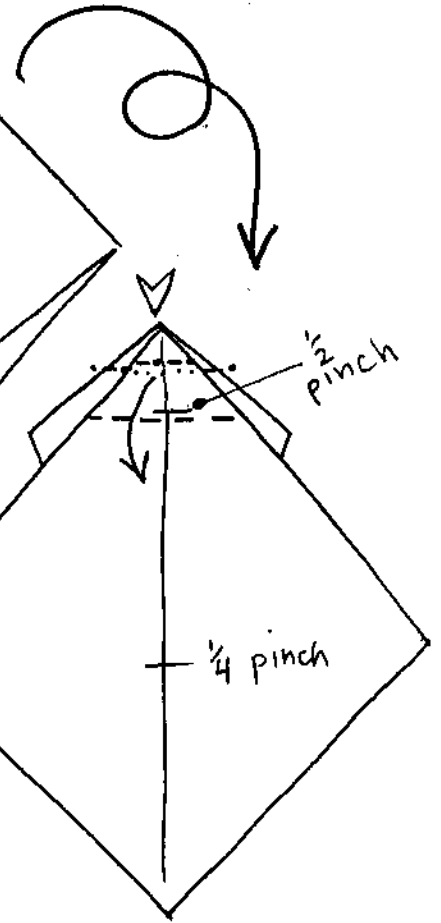
Fold sarcophagus, p. 2



⑧ Inside-reverse-fold; repeat opposite.

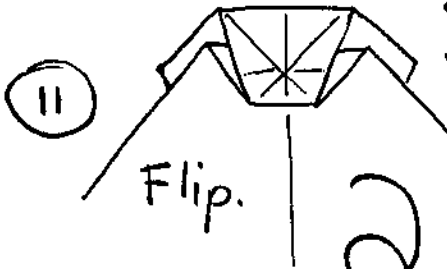


⑨ Flip.

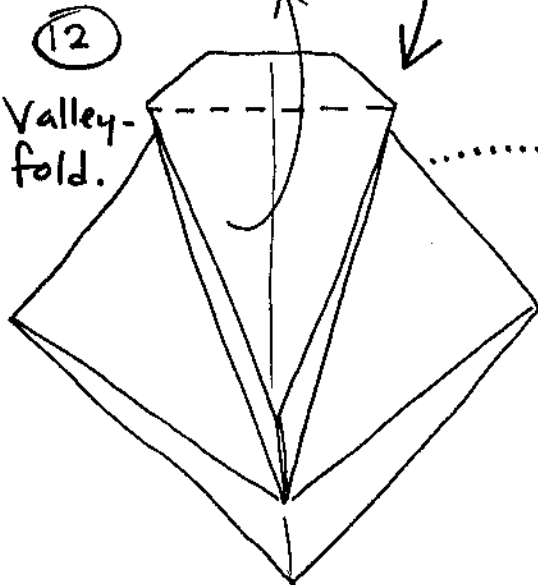


⑩

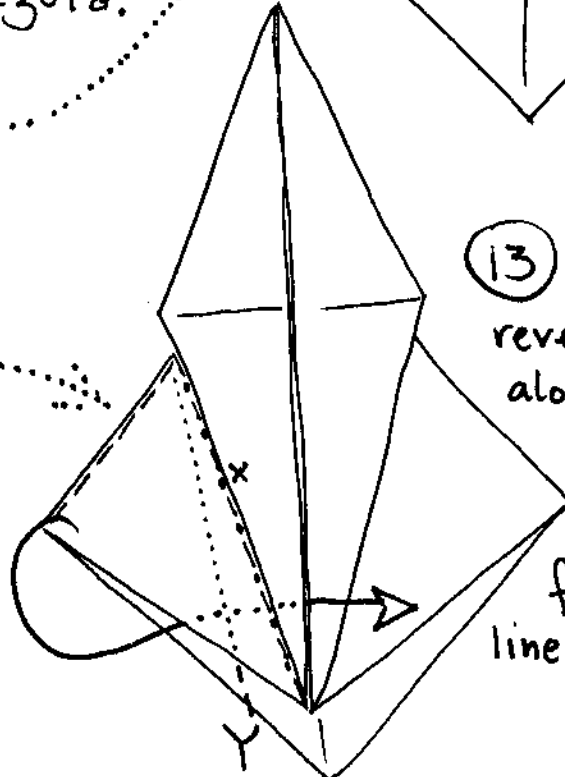
Form an off-center spread squash - the result will be a trapezoid.



⑪ Flip.

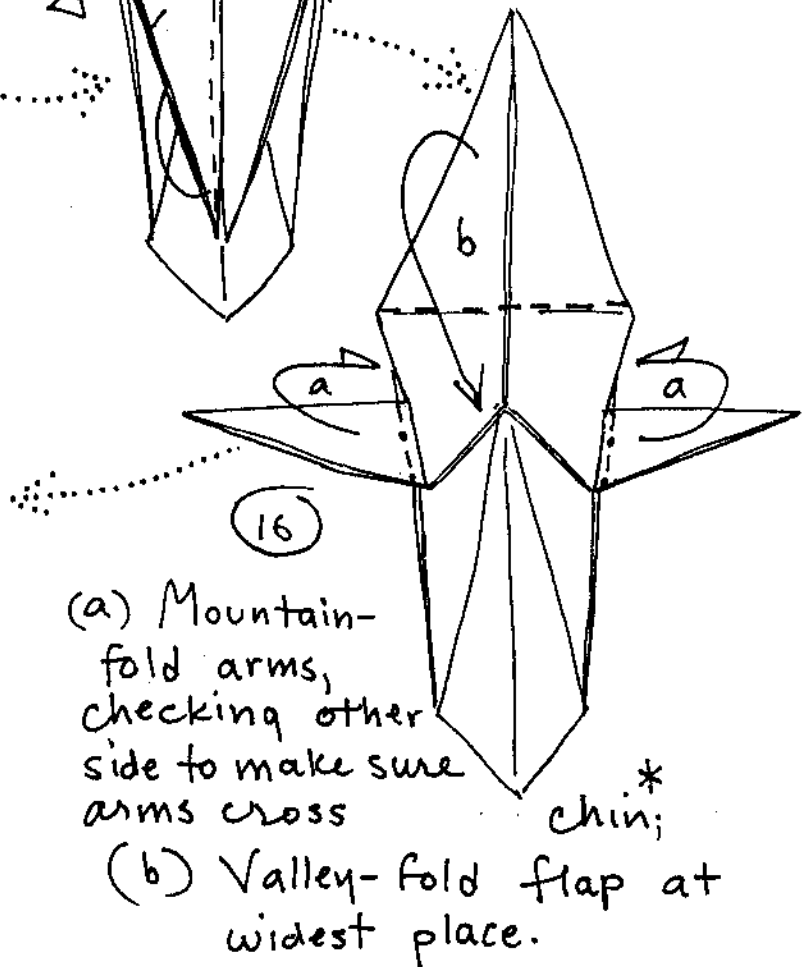
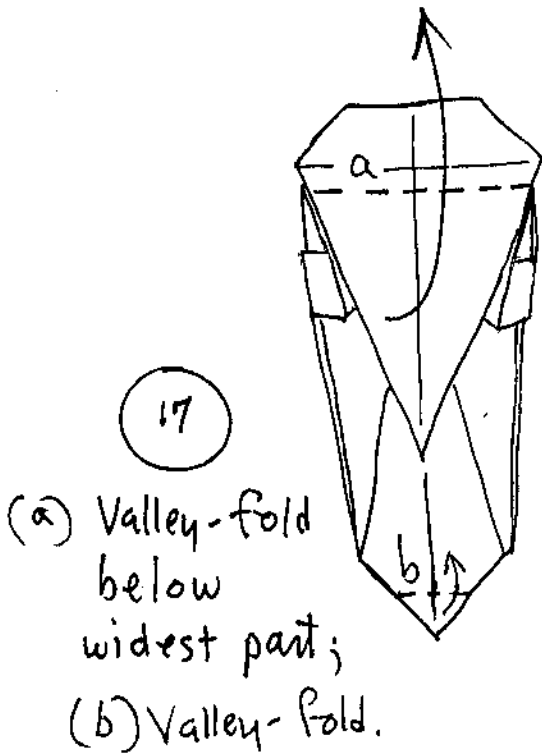
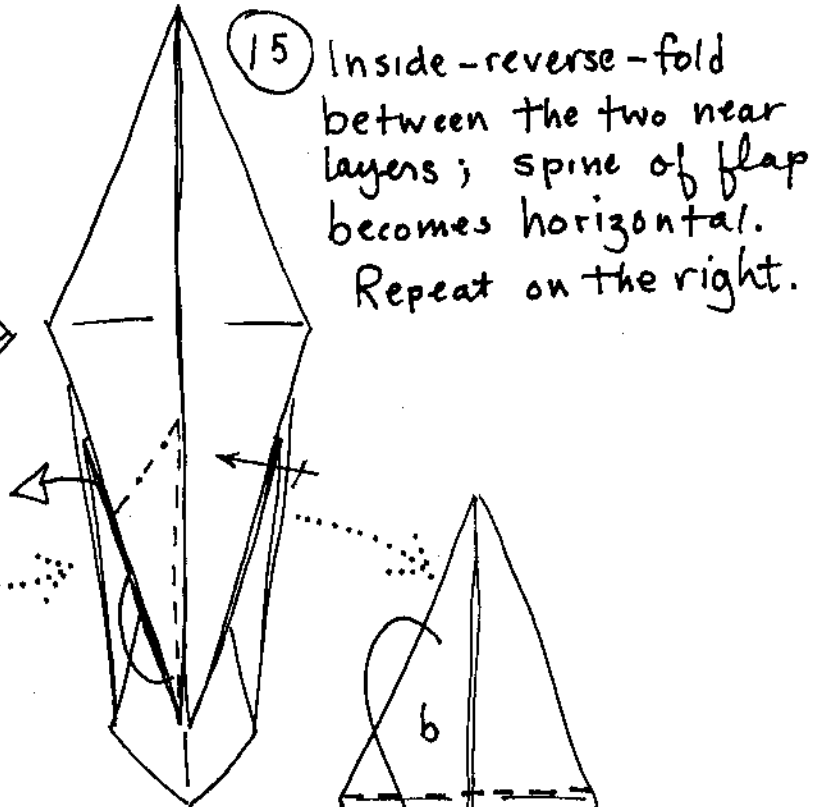
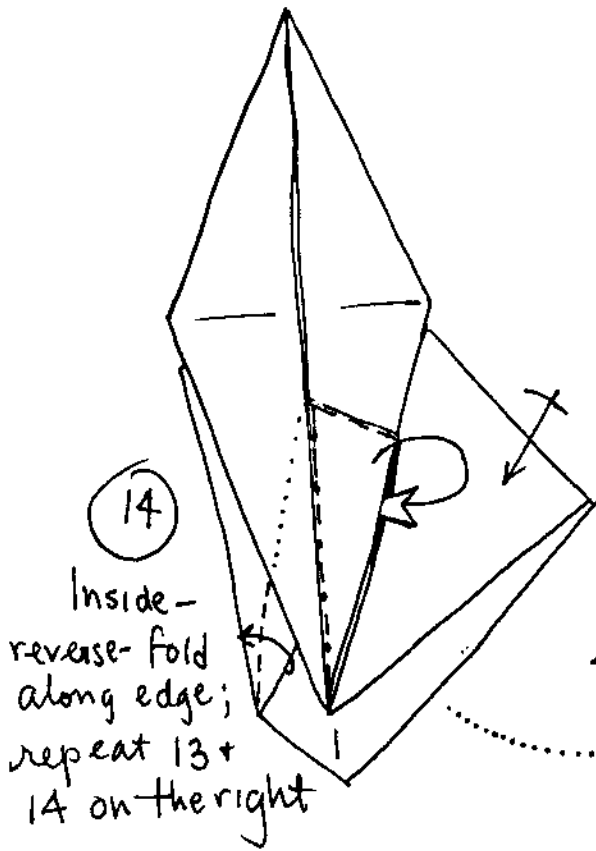


⑫ Valley-fold.



⑬ Inside-reverse-fold along edge X. Note Y - end of fold is in line with tips.

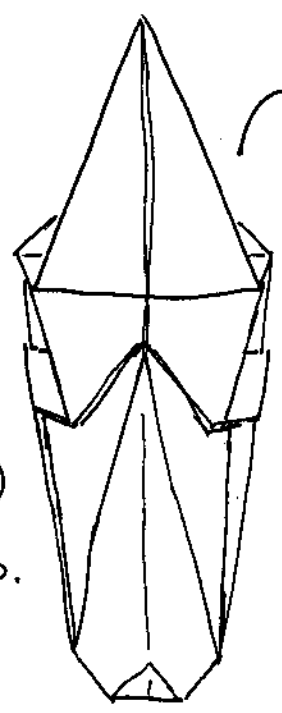
Gold sarcophagus, p. 3



* see step 19.

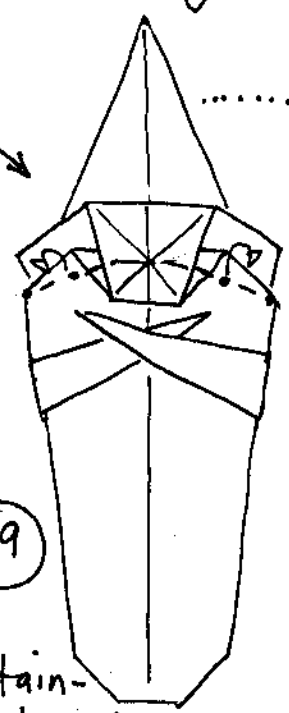
Gold sarcophagus p. 4

18
Flip.



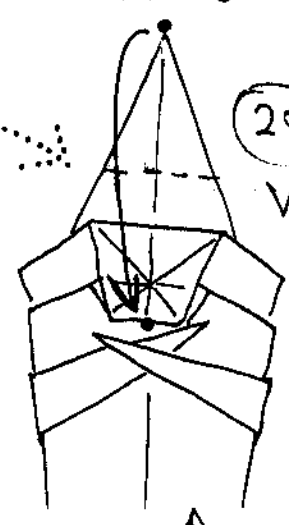
19

Mountain-fold shoulders.



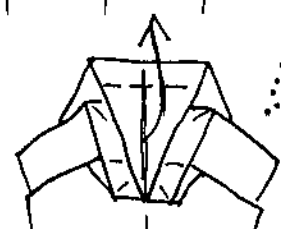
20

Valley-fold, dot to dot.



21

Valley-fold.



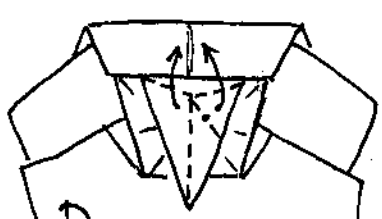
22

Valley-fold.



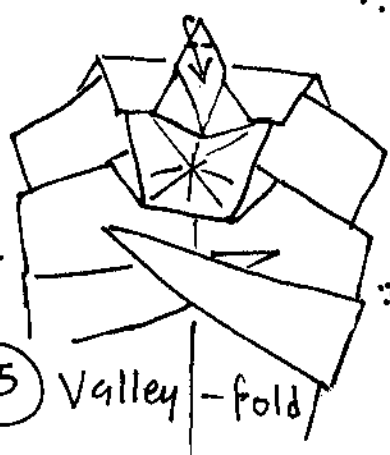
23

Do a Shallow rabbit ear.



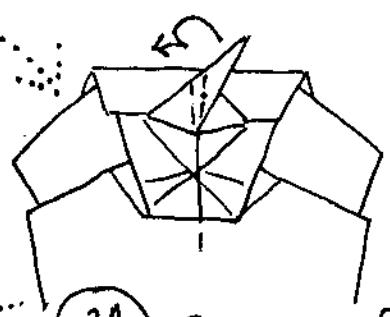
25

Valley-fold



24

Squash-fold tiny flap.



26

Blunt or shape hands, if desired.

