

BUNNY MONEY (2005)

By: Charles Esseltine

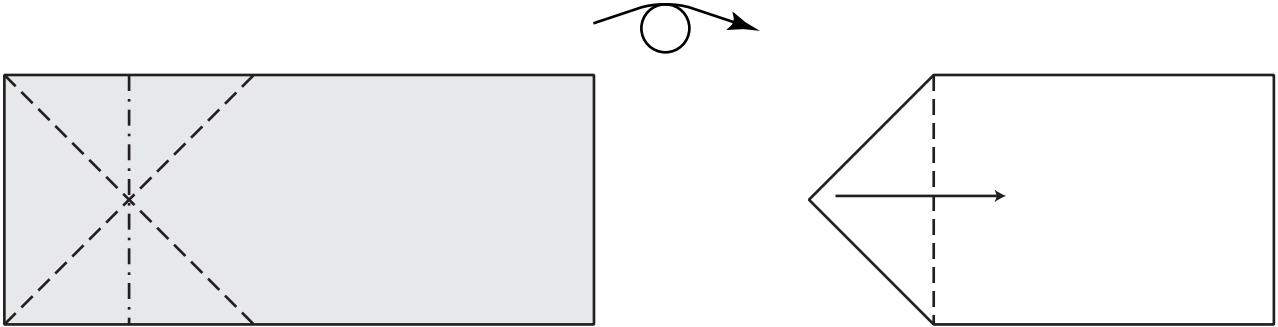
Start with the face side down for a darker nose.
Cool Nose!
NOSE!
Ok.....

NO! Start with the face side up for cooler ears!
Cooler EARS!
EARS!
What ever!

Or you could fold both!

1.) Fold a waterbomb base on one end.
Then turn over.

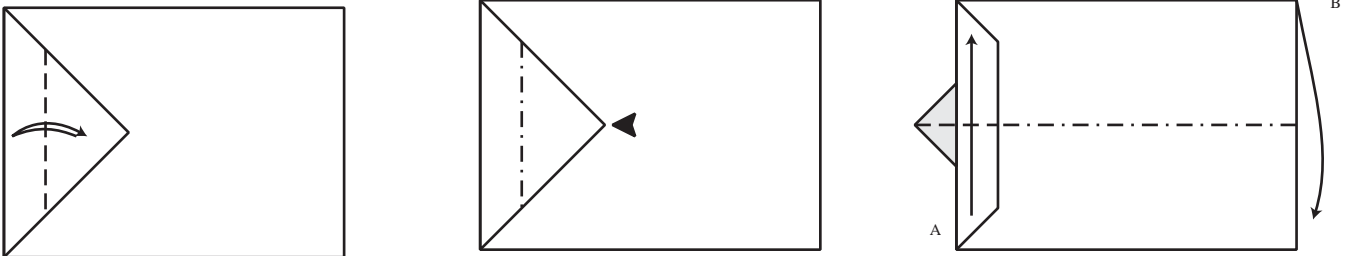
2.) Fold the waterbomb base to the front.



3.) Fold and unfold the tip about two thirds of the way to the edge.

4.) Sink the point through the base, so that the point sticks out.

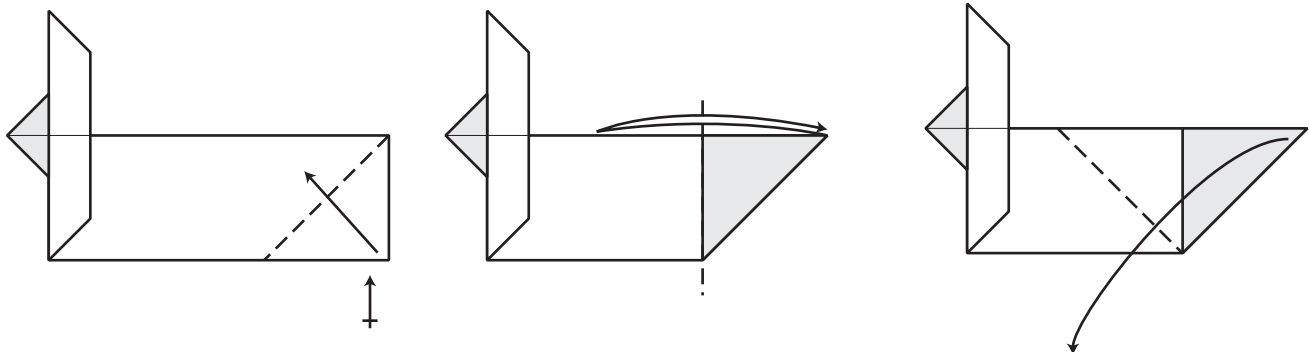
5.) Fold the bottom front flap (A) up and the top back flap (B) down.



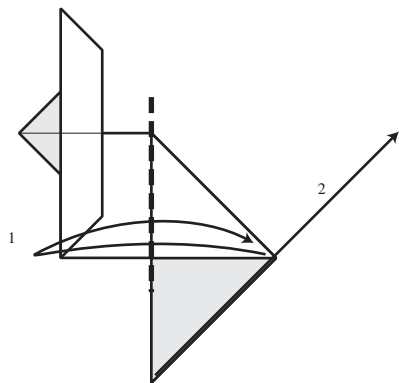
6.) Fold the back corner up to meet the center edge. Repeat on the other side.

7.) Fold and unfold the tail over the raw edge.

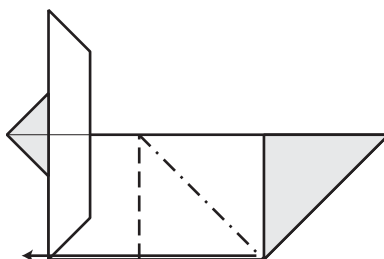
8.) Fold the tail section down so the corners that were folded in step 6 line up with the bottom edge.



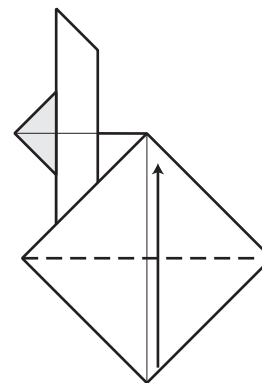
9.) First fold and unfold the tail over itself. Then unfold the tail section.



10.) Squash fold the tail.

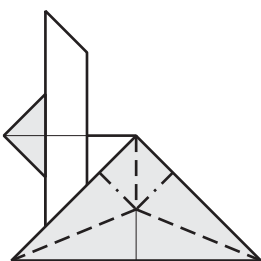


11.) Fold the tip up flush with the bottom edge.

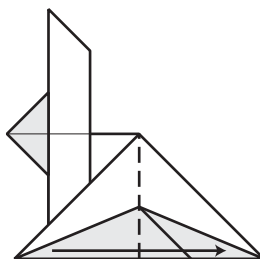


12.) Rabbit ear the rabbits tail.

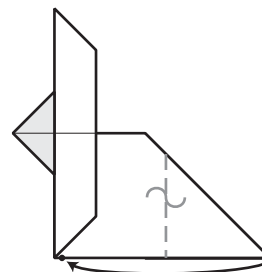
(The only rabbit ear in the model, and its for the tail! Oh well!!)



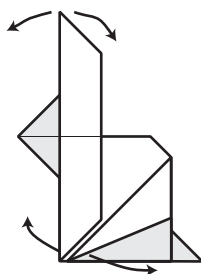
13.) Fold the forward leg back to cover it's tail.



14.) Fold the back legs forward ALMOST to the front. Leave just a small gap between the front legs, and the back.



15.) Spread the legs and ears just a little.



Aww... ain't it cute?

Now don't you wish they could multiply just like the real ones?

Maybe they can!

