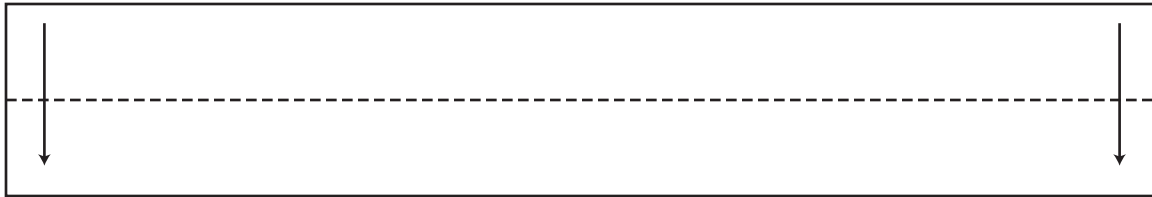


# EYE GLASSES CHOPSTICK HOLDER / \$ BILL FOLD (2000)

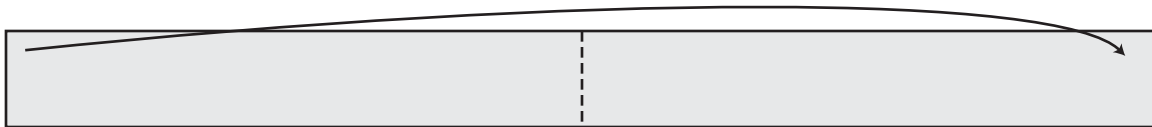
By: Charles Esseltine

This can be folded from Chopstick wrappers, \$ bills, or any rectangle. Just fold it until it is 12 x 1 or greater. The diagram starts with a 12 x 1 rectangle, white side up.

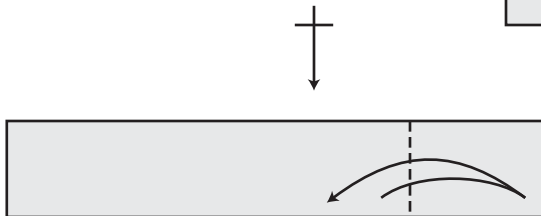
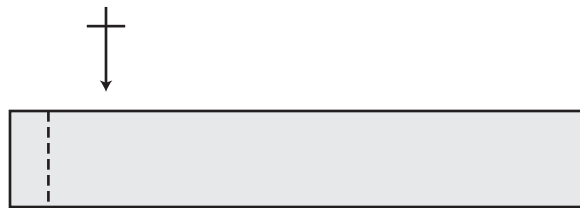
1.) Fold in half lengthwise.



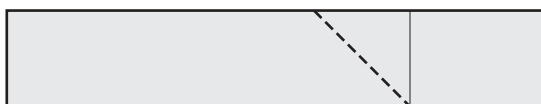
2.) Fold end to end.



3.) Fold the ends back near the center. This is the bridge of the glasses, so not too big, unless you are using LARGE paper. Repeat on the other side.



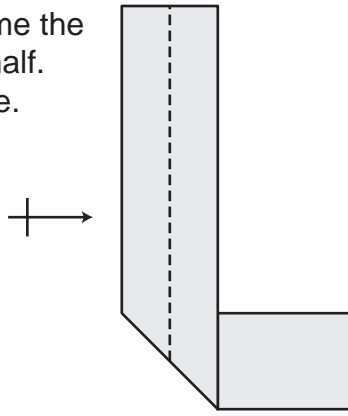
4.) Fold and unfold as far away from the center as you think the lenses should be. This is a judgement fold. Repeat on the other side.



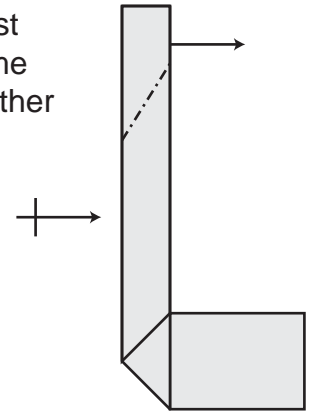
5.) Fold both ends up. Repeat on the other side.



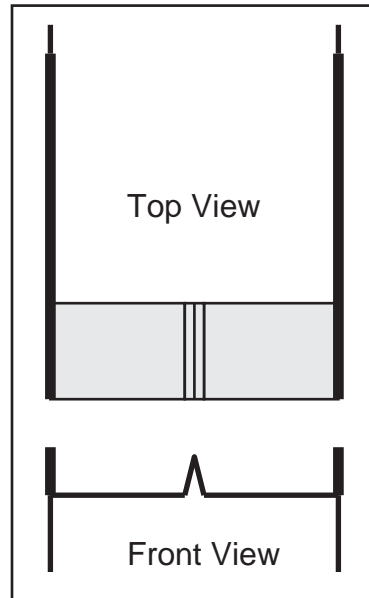
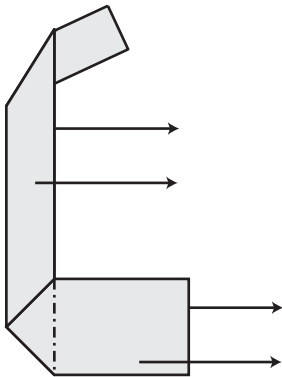
6.) Fold what will become the sides of the glasses in half. Repeat on the other side.



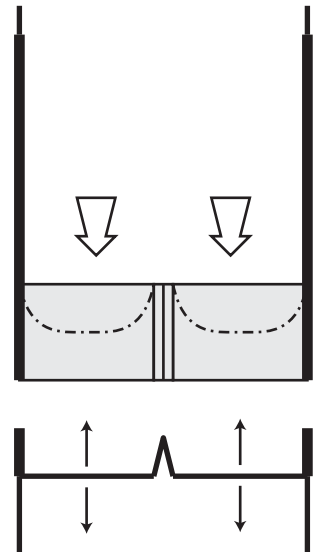
7.) Inside reverse fold the end. This is a judgment fold. Just make sure they are the same when you repeat it on the other side.



8.) fold up the ends while opening out the rest of the model to look like the one in the box to the right.



9.) Round out the lenses by opening them out, and pushing in the backs.



And as you can see the gasses are done.

