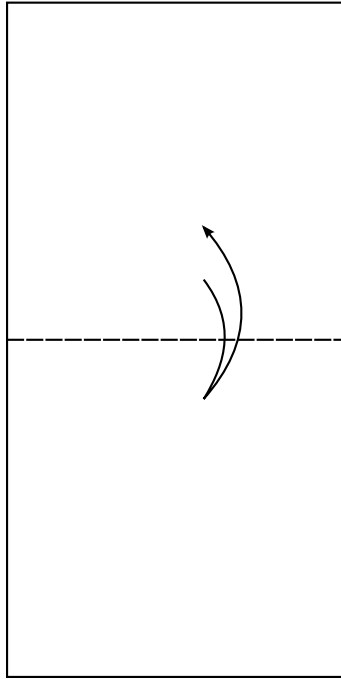
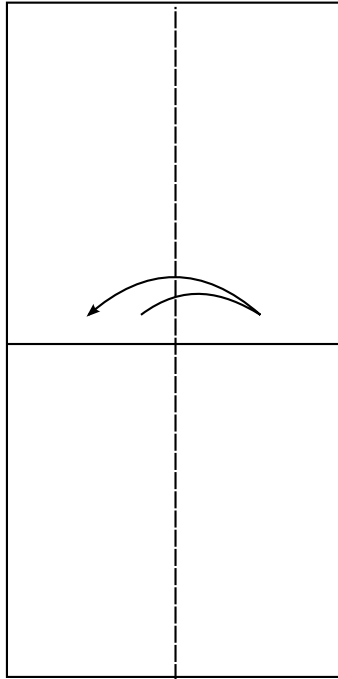


# Quaver

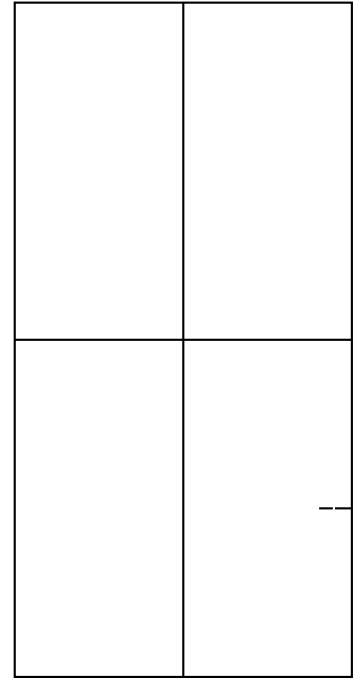
by Joseph Fleming



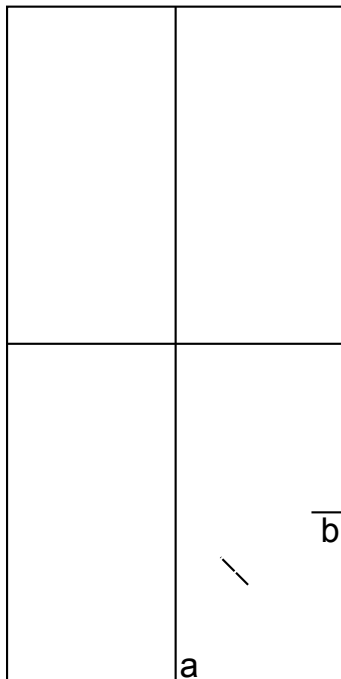
1. Begin with a 2X1 rectangle.  
Fold in half horizontally. Unfold.



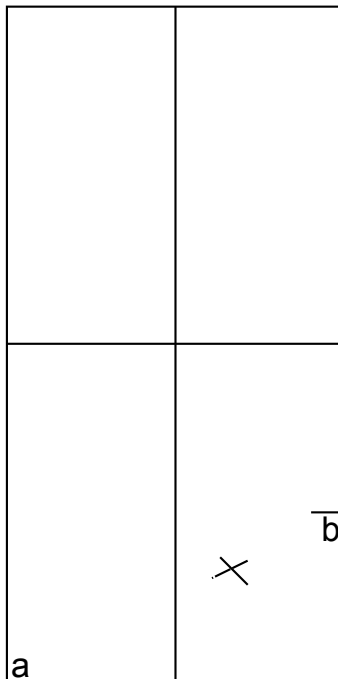
2. Fold in half vertically. Unfold.



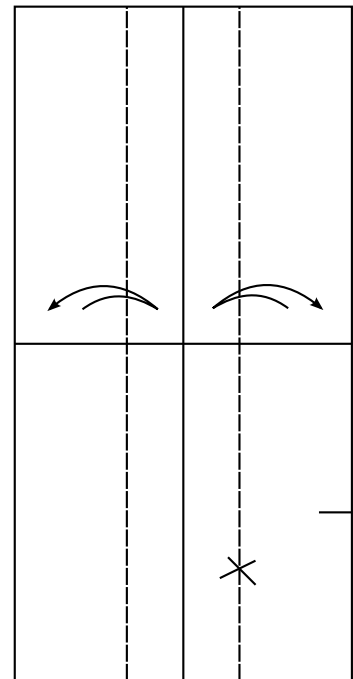
3. Make a small crease along  
the side.



4. Bring side a to side b and  
make a small crease.

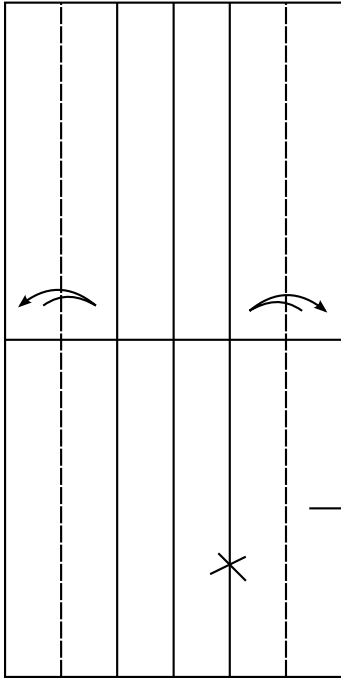


5. Create a small crease, using  
a and b as endpoints.

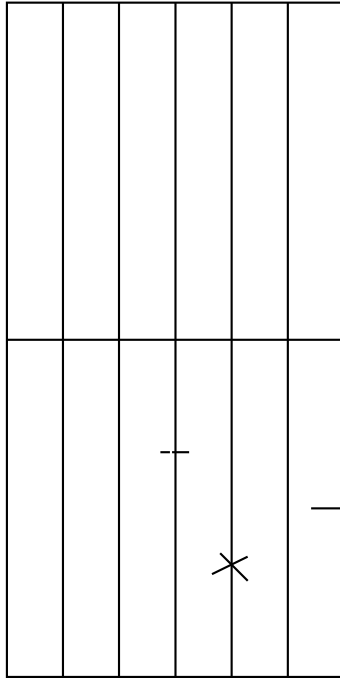


6. Fold into thirds vertically.  
Unfold

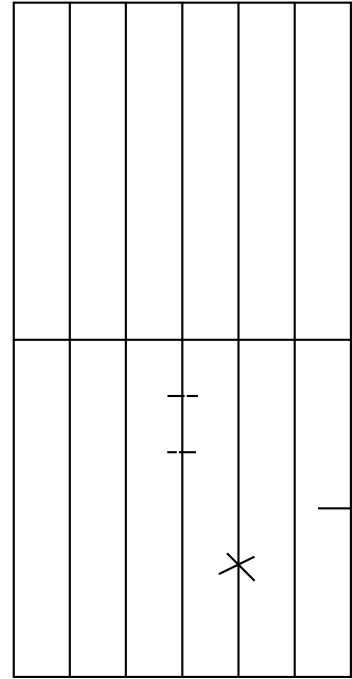
# Quaver (con't)



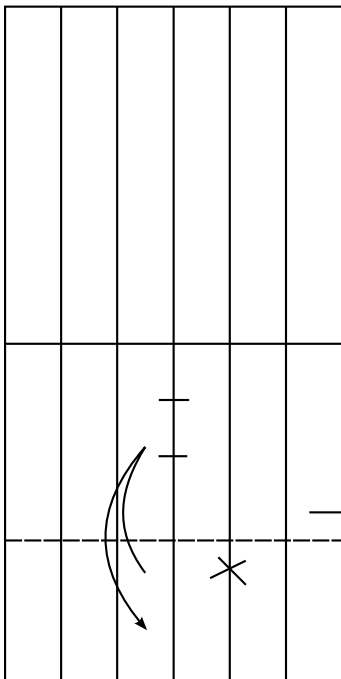
7. Fold into sixths vertically. Unfold.



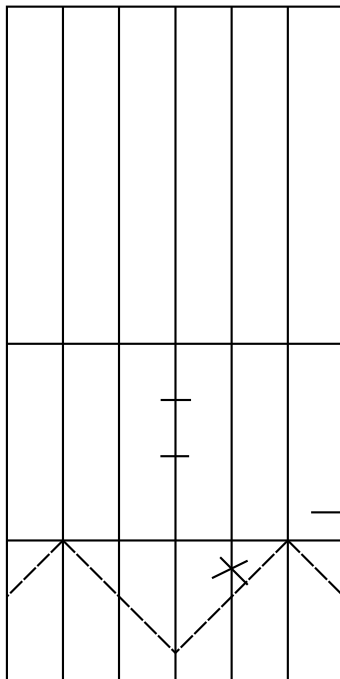
8. Crease along the center at two-thirds.



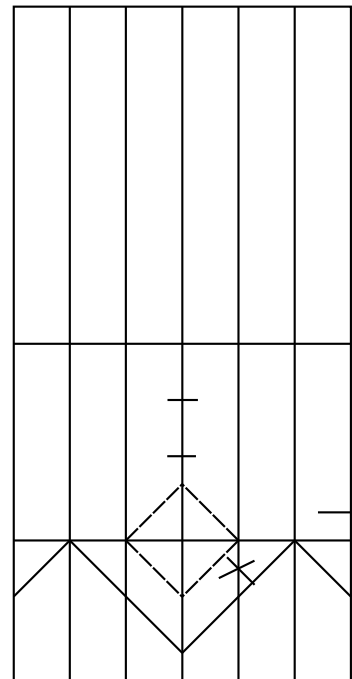
9. Crease along the center at five-sixths.



10. Fold from the bottom to the crease made in step 9. Unfold.

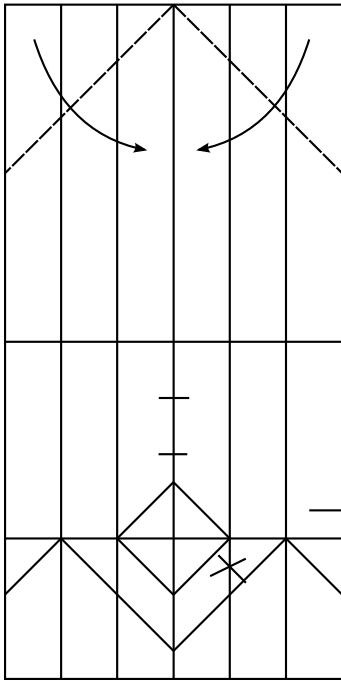


11. Precrease along noted lines.

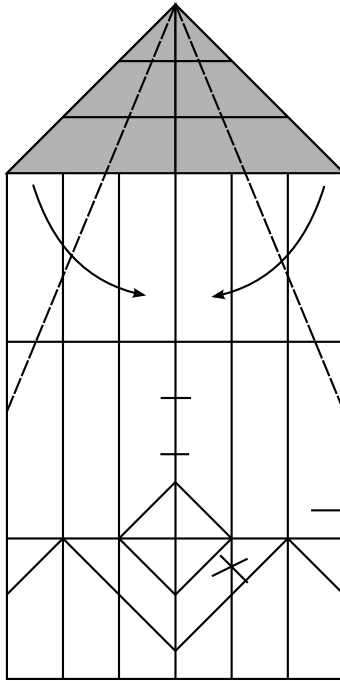


12. Precrease along noted lines.

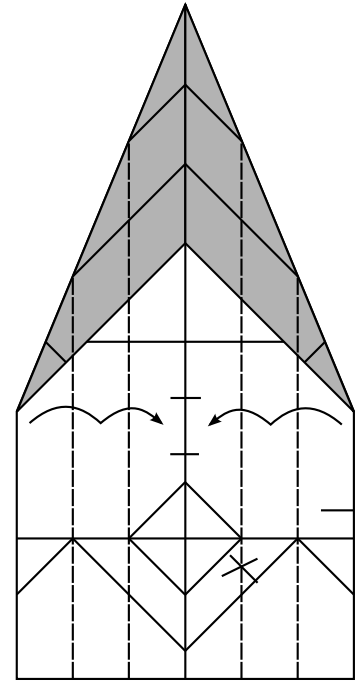
# Quaver (con't)



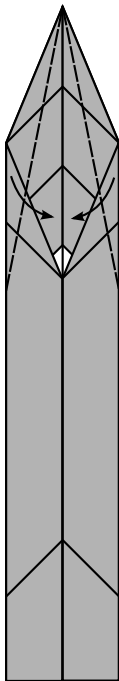
13. Fold top edges to center.



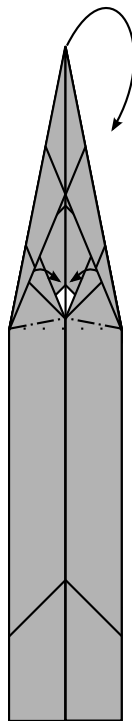
14. Fold top edges to center.



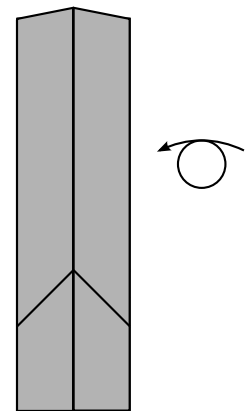
15. Fold both sides to the center line.



16. Fold top edges to center line.

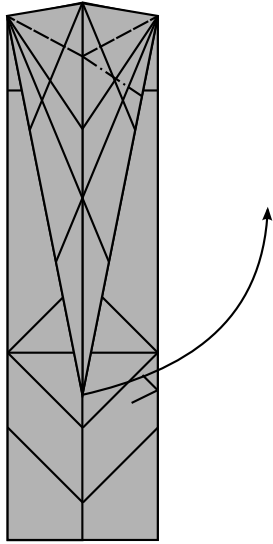


17. Fold the top behind, releasing the hidden paper.

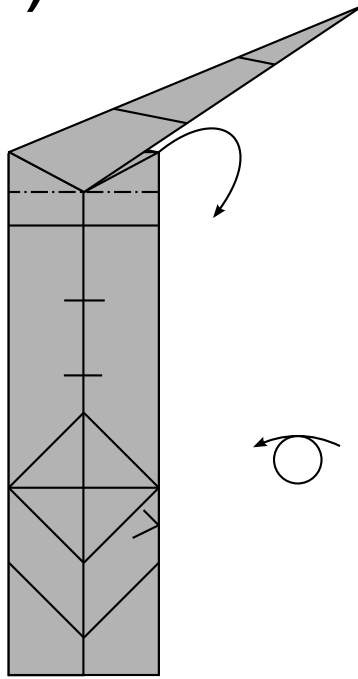


18. Turn the model over.

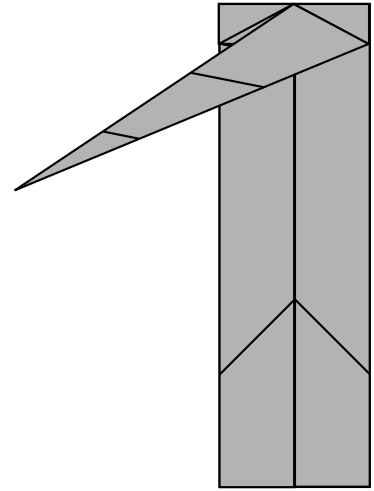
# Quaver (con't)



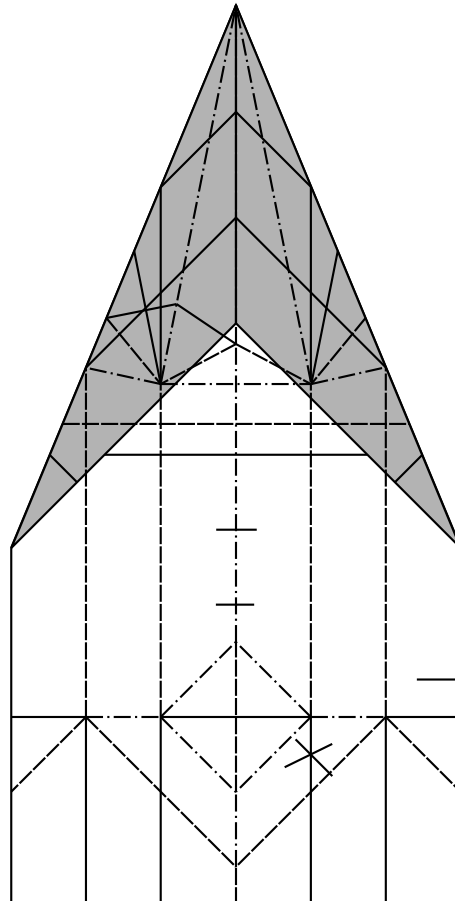
19. Rabbit ear the flap.



20. Fold behind. Turn the model over.

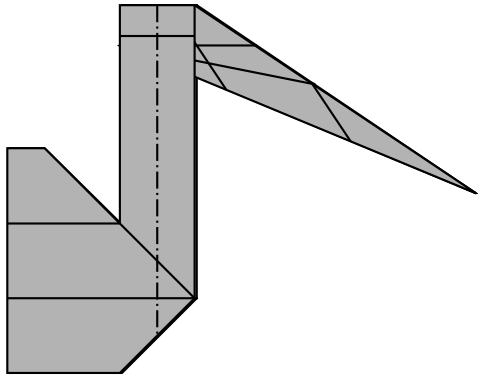


21. Unfold to step 15.

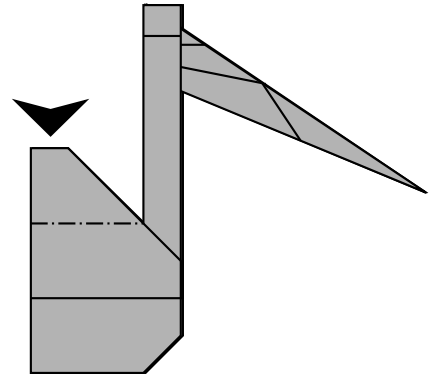


22. Collapse along noted lines.

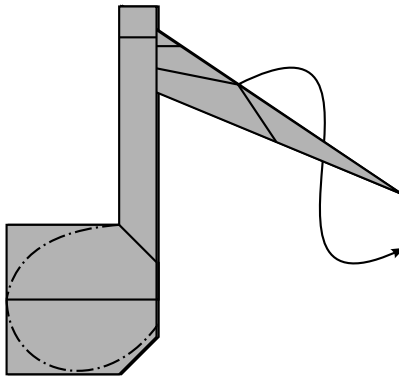
# Quaver (con't)



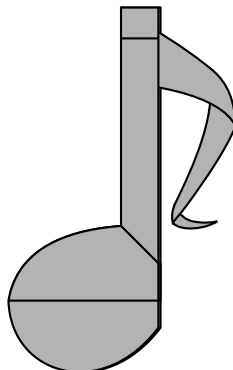
23. Fold all three layers inside, reverse folding the center layer.



24. Sink fold.



25. Shape the bottom and swirl the top.



The finished model